

Birdie Bugler

Volume 41 Issue 07

Steve White

Gets Ready

for the 2011

Member Guest

Are You

Ready?

Don Bales Wins

The President Cup!

Peter Lykins - 2nd Place



July

08/06 - General Meeting

1:00 PM Lunch

Tournaments

- 07/09 - Member Guest
- 08/06 - Low Gross/Low Net
- 08/20 - 2 Man Pinehurst
- 09/10 - Club Championship
- 09/17 - Club Championship
- 09/18 - Club Championship
- 10/07 - Laughlin Trip
- 10/22 - 4 Man Scramble
- 11/05 - Yellow Ball
- 11/19 - Turkey Shoot
- 12/03 - Last Chance/Booze
- 12/17 - Tour of Champ

Wednesday and Friday

Partner Best Ball and
Individual Net Skin Game
8:00 am

RVGA Board Members

President.....Steve White
Vice President.....Tim Devaney
Secretary.....Ken Wheeler
Treasurer.....Vince Mitchell
Handicap Chairman.....Tim Citizen
Tournaments.....Dennis Walker
Past President.....Doug Peterson
Editor.....Mark Gallant

Published monthly for the
members of The Royal
Vista Men's Club
20055 E. Colima Road
Walnut, CA
Clubhouse (909) 595-7441
Web Site - www.larvga.com



**President
Steve White**



In the last couple of months, I have noticed a change in our membership. We as a membership seem to be a happier group of golfers. We talk to each other about our everyday events, we greet each other with a "Hi", or give me "\$20.00". Our scores are getting better because our golf course has never played or looked this good. In the past few months we now have a nice place to have a beverage and lunch and hang around in comfort, with personnel that know who we are, and treat us as if we are important to the Royal Vista Golf Course.

This is a great year to sign up for the MEMBER-MEMBER-GUEST and show off the course that we call home. The price and time of play can't be beat, and the contest should be fun and easy for all to play. Check the flier and get your entry for the tournament in before we run out of space.

See you on the greens.....



Royal Vista Golf Association

2011 Member-Member-Guest



ROYAL SCRAMBLE



WHEN: JULY 9, 2011
ENTRY FEE: \$75.00 each
Shot Gun Start: 7:30 AM

Format: 3-PERSON STEP ASIDE SCRAMBLE
(2 Members and 1 Guest or 1 Member and 2 Guests)

All three players will play a scramble.

The player whose ball is chosen for each shot has to sit out the next stroke.

Example. Players A, B, C, Tee off on their first hole. Player B's drive is chosen as the Team Drive, Player B has to "STEP ASIDE" (Sit out) on the next shot. Players A & C will hit from within 1 club length of the ball chosen. This continues until a ball is holed. The player who holes the ball does not tee off on the next tee.



*****ONE DRIVE MINIMUM FOR EACH PLAYER*****

*****ENTRY DEADLINE – JULY 3, 2011*****



LUNCH, DRAWINGS, AND AWARDS WILL FOLLOW.

Over \$1,900 in Prize Money

(based on a full field, 48 players)

AWARDS - GROSS Flight, NET Flight, and Closest to the Pins

ENTRY FORM - Royal Scramble

Player 1 _____ SCGA# _____

Player 2 _____ SCGA# _____

Player 3 _____ SCGA# _____



MAKE CHECKS PAYABLE TO: ROYAL VISTA GOLF ASSOC.

MAIL TO: STEVE WHITE

1260 LAKEVIEW AVE. LA HABRA, CA. 90631





Vice President - Tim Devaney

July 9th is the date for the member /guest scramble and I hope with all the positive response we are getting that this will be the first step towards an ongoing event.

The Spring Fling this past May was a success due to the hard work of Vince Mitchell, who took the tournament over this year. He and his team put in a lot of hours in presenting this tournament.

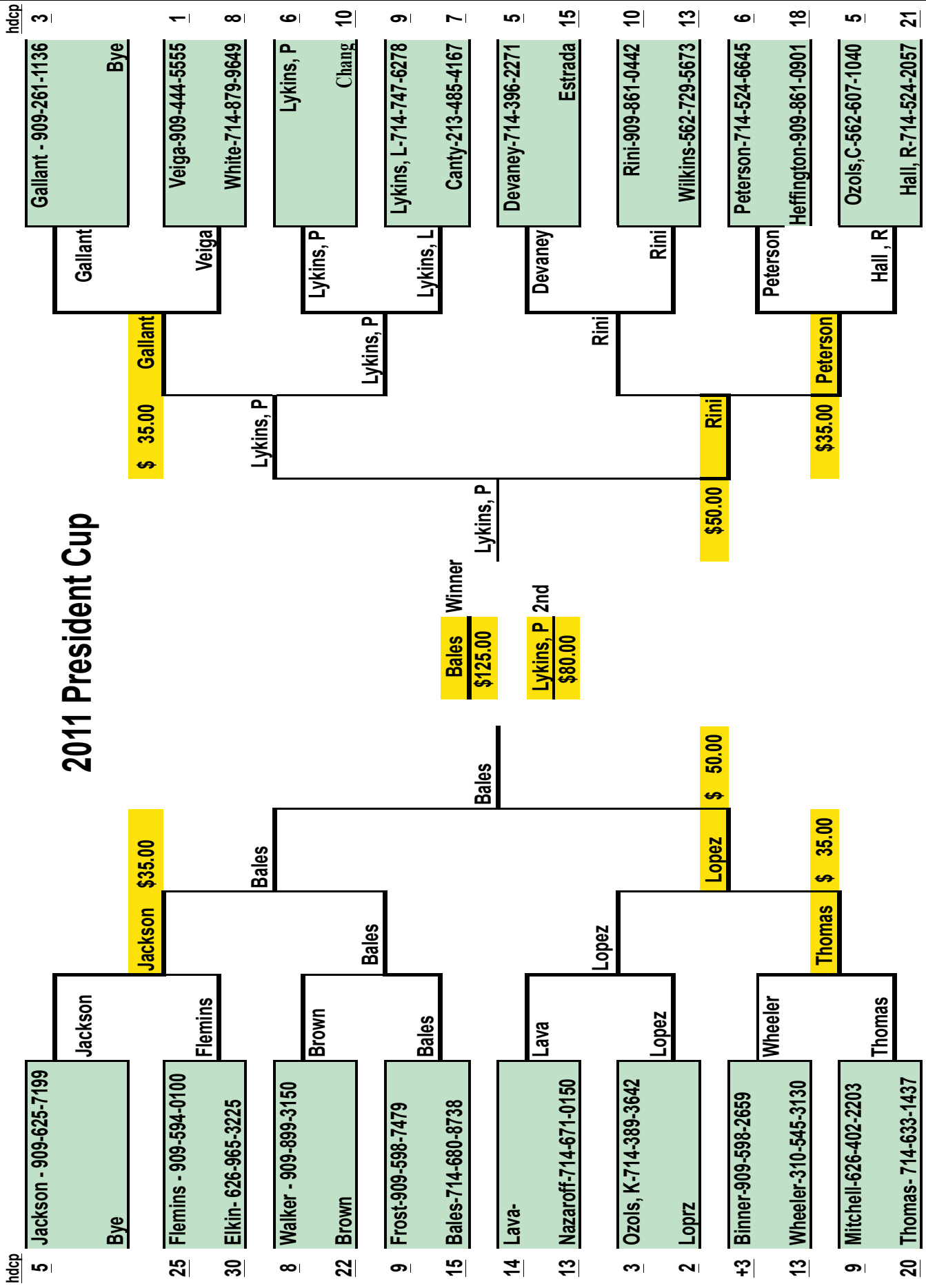
Larry Lykins and his Laughlin tourney has been a staple in the tournament schedule for as long as we have been at Royal Vista. The third jewel in the crown has developed a little tarnish over the past few years even to the point of cancellation last year. Hate to admit this publicly but I think our president Steve White has tumbled on to a format that will work. If the current tournament applications are any indication we are going to have a full field. The golf course is behind this tournament with many additions and considerations to our club in putting on this tournament. I hope as many of you as can get a chance to play in this event.

On another note, we all watched the Open this last weekend as the young Irishman exploded into the record books and finished a task that everyone said he would. In listening to him speak and hearing about conversations that he has had with other touring pros and media people, he seems to be the real thing. One of the comments I heard him make was about his swing to the point that a simple thought of maintaining the back of your lead hand to the target when swinging the club. His mastery of the game is in another universe but certain principles don't change, so don't clutter your mind with a thousand thoughts. Keep it simple and your scoring will be lower and your enjoyment will be greater.

See you on the 9th.



2011 President Cup





Past President & Rules Doug Peterson



From the Past Prez---Well, it seems that there is a new kid on the block...someone to fill the recent void left by a local player from La Palma who just seems to have a problem getting his game together lately...or yearly, as the case may be. Anyway, this new guy from across the pond, one Rory McIlroy, just annihilated the field in the U.S. Open after faltering badly in his springtime endeavor among the dogwoods and azaleas at the Masters. At 22, with a picture perfect swing, quiet demeanor, obvious talent and "a genuinely nice guy", who could blame those who say, with all that going for him, he could be the next, well, Tiger Woods...!!! (My apologies Rory, but at 22, Tiger was the previous new kid on the block who was going to be the next Jack Nicklaus and the press and public were falling all over themselves to usher in his pre-eminence in the sport...you've just been anointed...!!! Be careful, the realities of a lifetime in the limelight sometimes reveal shadows some people don't actually want to see or even admit that they may possibly exist.)

Enough of the editorials, the point is that McIlroy accomplished things in this "major" that have never been done before...not even by you know who? He accomplished this feat while withstanding the scrutiny and speculation that he would "fold"... "choke" is not a golf term...like he did at the Masters where he was ahead of the field by 4 strokes going into the back nine and "collapsed" at the hands of eventual winner...drum roll...Charl Schwartzel...maybe not the next "new kid on the block" but a "major" champion none the less. This resilience and determination were similar to David Toms a few weeks earlier who posted two 62's, lost a 7 shot lead in the third round and still won at The Colonial in Fort Worth, Texas. This, after missing a "tap in" 3 foot putt in a playoff at the "Players Championship" a week earlier. Neither golfer gave in to the demons of the past and stayed "focused on the moment" to rise above the challenges and achieve victory...they never gave up. Be you young or old...22 or 44...age not handicap...we can all learn from those who play the game for a living. They make the same mistakes we do, just not quite as often...!!!

Another person who rose above the challenges is our Presidents Cup Champion, Don Bales, who had to be practically begged to play after rehabbing from both heart and Achilles surgeries. His hard fought victory against Peter Lykins was a testament to our abilities to recover from the hurdles we face. Congrats to both competitors...you put on quite a show for the losers you left in the dust on your way to the finals...munchkin y munchkin...!!!

One last "Congrats" to the new ownership at LARV, Matt Lowe, and company. It's been a year and you've done all and more that you said you would do for the course and our men's club. The youthful presence and energy is apparent and much appreciated by a bunch of "old guys" who need not look back to the way things used to be and only look forward to the way things are improving. Thank you for making it more enjoyable to hit it, find it, and hit it again...!!!



**Tournament Chairman
Dennis Walker**



2011 MONEY LIST

Congrats to Don Bales for winning the 2011 Presidents Cup!



Lykins P.	\$ 190.00
Wheeler	\$ 183.50
Merrill	\$ 142.50
Devaney	\$ 133.00
Bales	\$ 125.00
Hall R.	\$ 120.00
Hamilton	\$ 109.00
Peterson	\$ 92.50
Bennett	\$ 87.50
Salomon	\$ 87.50
Williams G.	\$ 85.00
Thomas	\$ 78.00
Nazaroff	\$ 75.00
Giles	\$ 75.00
Vuckovich	\$ 73.00
Chang	\$ 70.00
Woods	\$ 68.00
Lopez	\$ 67.50
Rini	\$ 67.50
Miles	\$ 66.00
Smith R.	\$ 66.00
Ozols K.	\$ 65.00
Haldeman	\$ 60.00
Gallant	\$ 60.00
Barrajas	\$ 59.00
Sasseen	\$ 59.00
Riggs	\$ 59.00
Kikuda	\$ 55.00
Wilkins	\$ 50.00
Cornejo	\$ 50.00
Kidd	\$ 45.00
Burtch	\$ 43.00
Hall D.	\$ 40.00
Flemins	\$ 40.00
Johnson M,	\$ 40.00
Compton	\$ 40.00
Canty	\$ 40.00
Williams D.	\$ 40.00
Delgado	\$ 40.00
Ozols C.	\$ 35.00
Kidd	\$ 35.00
Jackson	\$ 35.00
Lykins L	\$ 30.00

Currently we have 33 players qualified for the TOC and our top ten most improved players according to the SCGA are:

1. Jeff Binner
2. Greg Williams
3. Ruben Robles
4. Ken Wheeler
5. Don Adams
6. Grant Kikuda
7. Jerry Sorensen
8. Scott Mason
9. Reeve Haldeman
10. Robert Mora



June 18 - 3 CLUB TOURNAMENT

A Flight

Player	Gross	Hdcp	Net		
Lykins L.	82	11	71	1st Low Net	\$ 50.00
Walker	84	11	73	2nd Low Net	\$ 35.00
Lykins P.	82	7	75	3rd Low Net	\$ 20.00
Woods	79	4	75	1ST Low Gross	\$ 50.00
Mitchell	86	10	76		
Ozols K.	83	6	77		
Lopez	83	4	79		
Gallant	83	4	79		
Veiga	83	3	80		
Haldeman	93	13	80		
Canty	91	10	81		
Ozols C.	89	8	81		
White	93	12	81		
Chang	93	11	82		
Lira	93	8	85		
Devaney	96	8	88		

B Flight

Player	Gross	Hdcp	Net		
Giles	93	25	68	1st Low Net	\$ 50.00
Parsakian	88	17	71	2nd Low Net	\$ 35.00
Williams G.	92	21	71	3rd Low Net	\$ 20.00
Heffington	91	19	72		
Kikuda	95	22	73		
Merrill	92	18	74		
Smith	107	29	78		
Cawdrey	97	16	81		
Bowers	101	18	83		
Reed	106	23	83		
Branchick	114	25	89		
Croze	110	20	90		
Bauer	120	30	90		